

# RCRD

Room detector



FIRE SAFETY



18/06/2018

[www.bevent-rasch.com](http://www.bevent-rasch.com)



**BEVENT RASCH**

AIR SOLUTIONS – FOR A BETTER TOMORROW



### Quick facts

- Smoke detector for room installation
- Optical detector head
- Indication of a dirty detector head

### Use

Indication of smoke in rooms.

### Design

Detector for room installation, with optical detector head. The detector head is easy to change thanks to its bayonet fastening to the base. RCRD have indication of a dirty detector head. Power supply is from the control panel or control unit.

### Material

White PVC with metal netting.

### Function description

The smoke detector has an optical detector head.

It also has an LED with two functions:

- red light indicates a tripped detector.
- green light indicates a dirty detector.

The detector must be under continuous observation and must be cleaned at regular intervals to avoid false alarms.

The detector head is easy to change thanks to its bayonet fastening to the base.

### Location

Detectors are sensitive instruments, so care should be taken with their location.

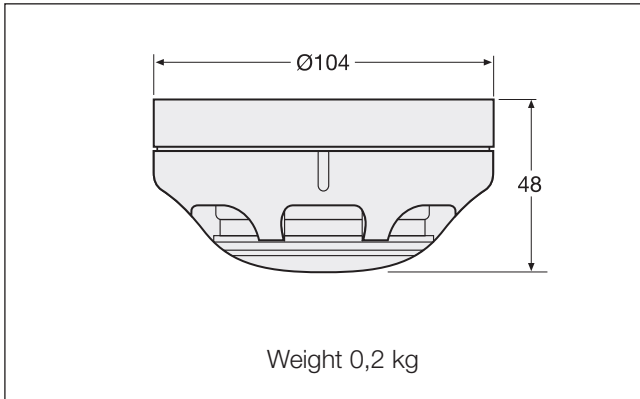
### Specification

Example

**Room detector**    **RCRD - 0**



### Dimensions and weight



### Technical data

System voltage	
- optical	10-30V DC
Operation current	0,05 mA
Alarm current	40 mA
Service alarm current	10 mA
Ambient temperature	-10 to +55°C
Permitted humidity	99% rF
Service alarm	Indicated by green LED
Smoke gas alarm	Indicated by red LED
Encapsulation class	IP22 (room detector)

### Wiring diagram

