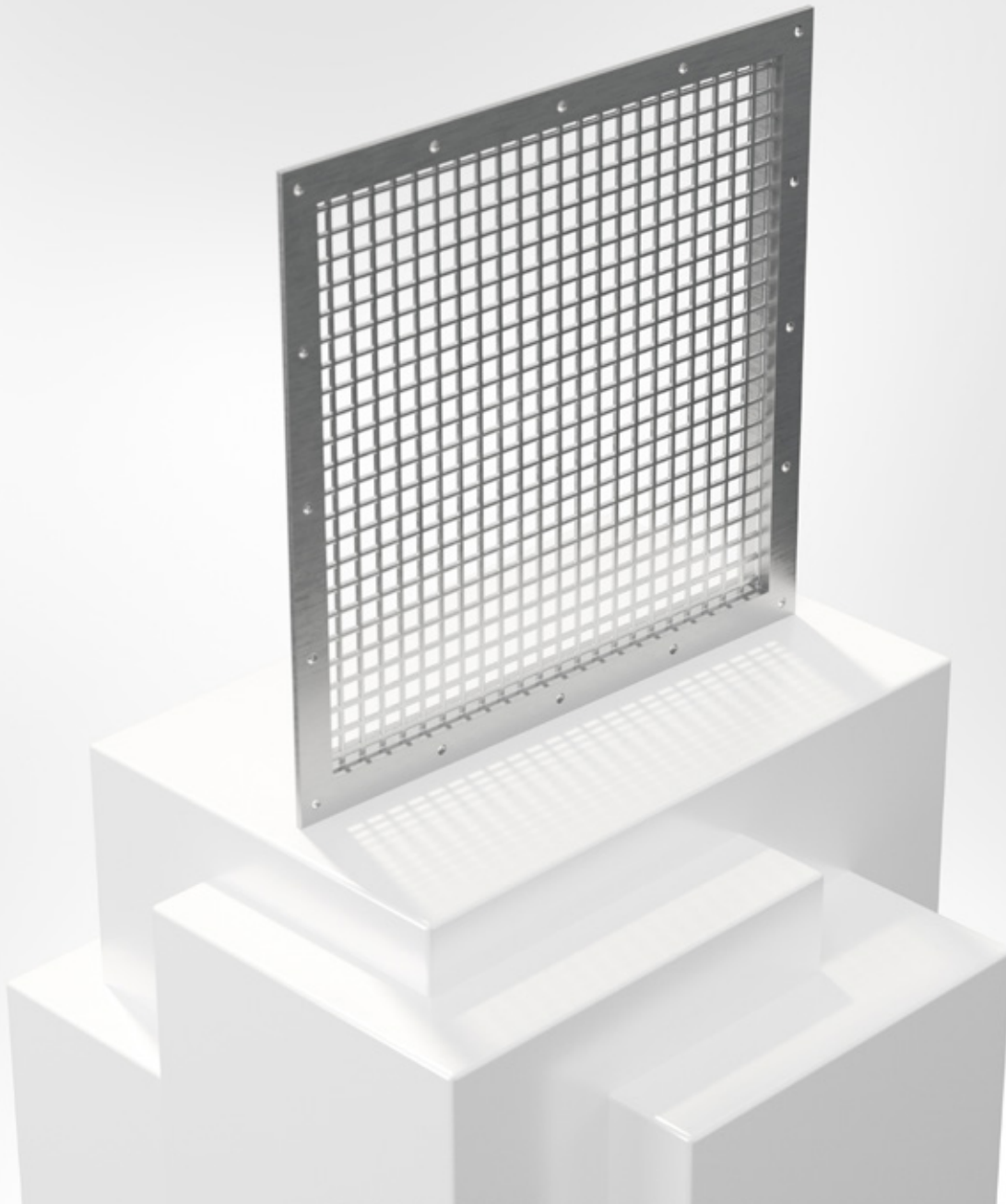


BRTR

Rectangular wire mesh louvre



LOUVRES



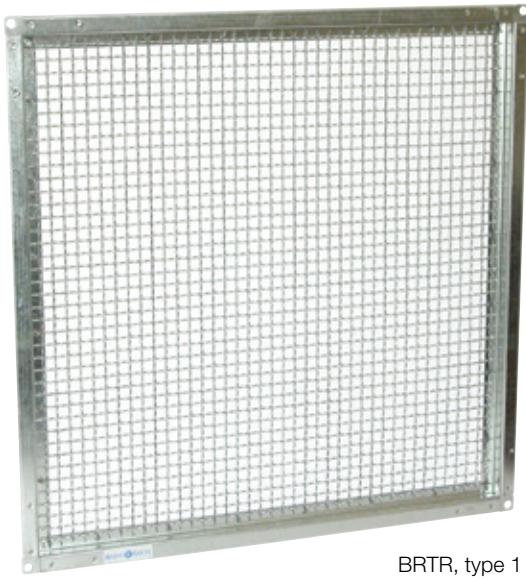
11/03/2022

www.bevent-rasch.com



BEVENT RASCH

AIR SOLUTIONS – FOR A BETTER TOMORROW



BRTR, type 1



BRTR, type 2



BRTR, type 3

Quick facts

- Sizes from 100-100 mm to 2000-2000 mm
- Spigot connection as standard, can also be performed with flange or socket connection
- Galvanized sheet steel as standard. Can also be supplied in acid proof stainless steel.
- For corrosion class C4 the mesh louvre can be supplied in a powder coated version
- Available in MagiCAD

Use

BRTR is a rectangular protective louvre for duct end installation with wire mesh, mesh sizes 10 x 10 mm, attached in frame of hot galvanised sheet steel.

Material, surface finish

The wire mesh louvre is delivered in galvanized sheet steel and can also be supplied in a painted finish (C4) in any colour, see www.bevent-rasch.com. The grille can also be manufactured in stainless AISI 316L – EN 1.4404 or aluzinc AZ185.

Specification

Example:

Wire Mesh Louvre **BRTR - 400 - 400 - 1 - 1 - 0**

Size B x H, mm

Type:

Spigot = 1
 Flange with holes = 2
 Flat flange (without holes) = 3

Material:

Galvanized sheet steel = 1
 Stainless AISI 316L – EN 1.4404 = 3
 Aluzinc AZ185 = 4

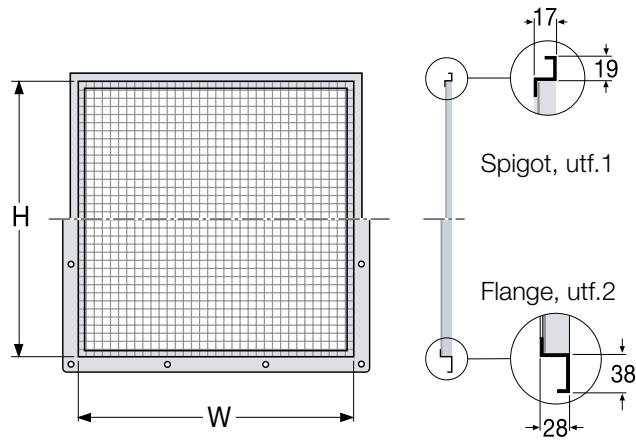
Surface finish:

Untreated = 0
 Surface finish C4 = 1*

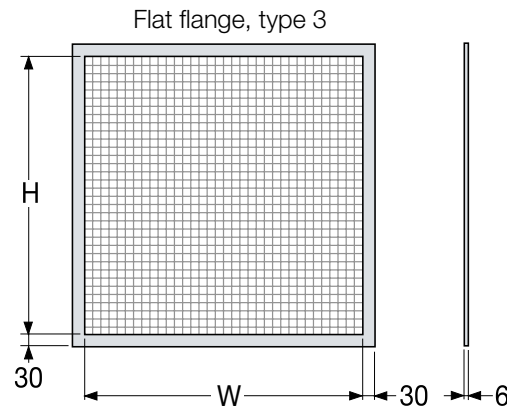
* Colour code should be stated in plain text, see www.bevent-rasch.com



Dimensions



W x H = Sizes from 100 mm to 2000 mm
in intervals of 50 mm.



W x H = Sizes from 100 mm to 1000 mm
in intervals of 50 mm.