

ACCESSORIES



COWLS



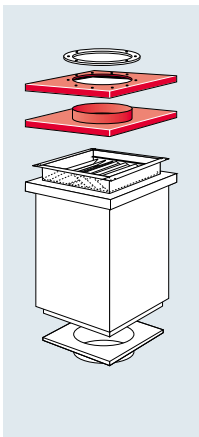
03/03/2022

www.bevent-rasch.com

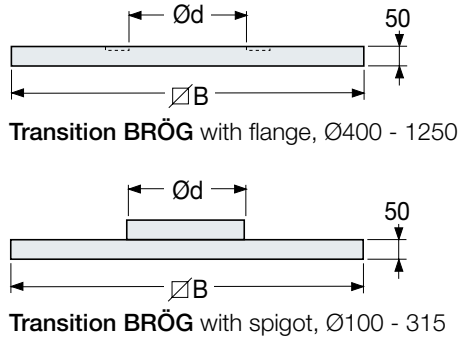


BEVENT RASCH

AIR SOLUTIONS – FOR A BETTER TOMORROW



Transition BRÖG

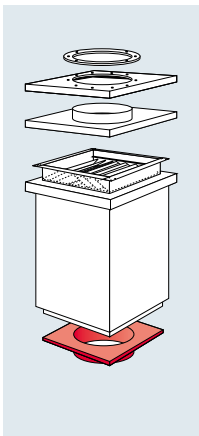


Specifications

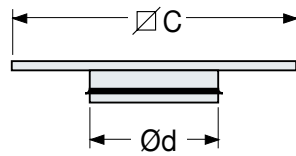
Example: **Transition BRÖG- 8 - 500 - 1 - 0**

Size, see to dimension table	8	500	1	0
Connection cowl, see table of dimensions				
Material:				
Galvanized sheet steel			= 1	
Stainless AISI 316L – EN 1.4404			= 3	
Aluzinc AZ185			= 4	
Surface treatment:				
Unfinished			= 0	
Surface treatment C4			= 1*	

* Colour code should be stated in plain text, see www.bevent-rasch.com



Connection BRSA



Specifications

Example: **Connection BRSA - 8 - 500 - 1 - 3**

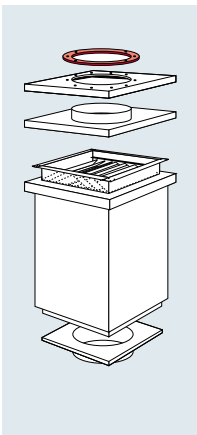
Size, see dimension table	8	500	1	3
Duct connection, see table of dimensions				
Material:				
Galvanized sheet steel			= 1	
Stainless AISI 316L – EN 1.4404			= 3	
Aluzinc AZ185			= 4	
Insulation: 50 mm, equivalent EI30			= 3	
100 mm, equivalent EI60			= 6	

Dimensions

Size BRÖG BRSA	C Insulation, mm		B	BRÖG Ød Insulation, mm		BRSA Ød Insulation, mm	
	50 ¹⁾	100 ²⁾		50 ¹⁾	100 ²⁾	50 ¹⁾	100 ²⁾
3	200	100	400	100-200	100	100-200	100
4	300	200	500	250-315	125-200	200-315	125-200
5	400	300	600	315	250	250-400	200-315
6	500	400	700	400	250-315	315-500	250-400
7	600	500	800	500	400	400-630	315-500
8	700	600	900	500	500	500-630	400-630
9	800	700	1000	630	–	630-800	500-630
10	900	800	1100	800	630	800	630-800
11	1000	900	1200	–	800	1000	800
12	1100	1000	1300	1000	–	1000	1000
13	1200	1100	1400	–	1000	1000	1000
14	1300	1200	1500	–	–	1250	1000
15	1400	1300	1600	1250	–	1250	1250
16	1500	1400	1700	–	1250	1250	1250
17	1600	1500	1800	1500	–	1500	1500
18	1700	1600	1900	–	1500	1500	1500
19	1800	1700	2000	–	–	–	–
21	2000	1900	2200	–	–	–	–

1) Equivalent EI30

2) Equivalent EI60

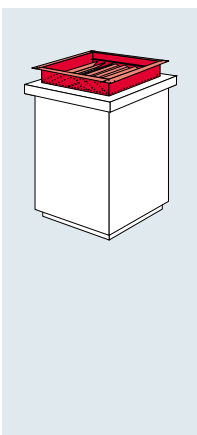


Counter-flange BRFL

Specifications

Example: **Counter-flange BRFL - 250 - 1**

<i>Size</i>		
Diameter Ød, mm	_____	
<i>Material</i>		
Galvanized sheet steel	= 1	
Stainless AISI 316L – EN 1.4404	= 3	



Back draught damper BRRB

Description, use

BRRB is a quadratic back draught damper intended for installation in roof inlets, or in vertical ducts. The damper blades are self-closing in the event of a lack of airflow.

The airstream-operated damper can be supplied to order in the dimensions of your choice, in both quadratic and rectangular designs.

Material, surface finish

The damper is manufactured with a galvanized sheet steel plate frame and aluminium damper blades. The damper can also be manufactured with an aluzinc AZ185 frame, or in Stainless AISI 3041 – EN 1.4301.

Specifications

Example: **Back draught damper BRRB - 600 - 600 - 1 - 1**

<i>Size:</i>		
Duct dimensions, roof inlet	_____	
<i>(Special sizes to be stated in plain language)</i>		
<i>Version:</i>		
Suitable BRTG/BRTK	= 1	
Suitable BRTF	= 2	
<i>Material:</i>		
Galvanized sheet steel	= 1	
Stainless AISI 316L – EN 1.4404	= 3	
Aluzinc AZ185	= 4	

