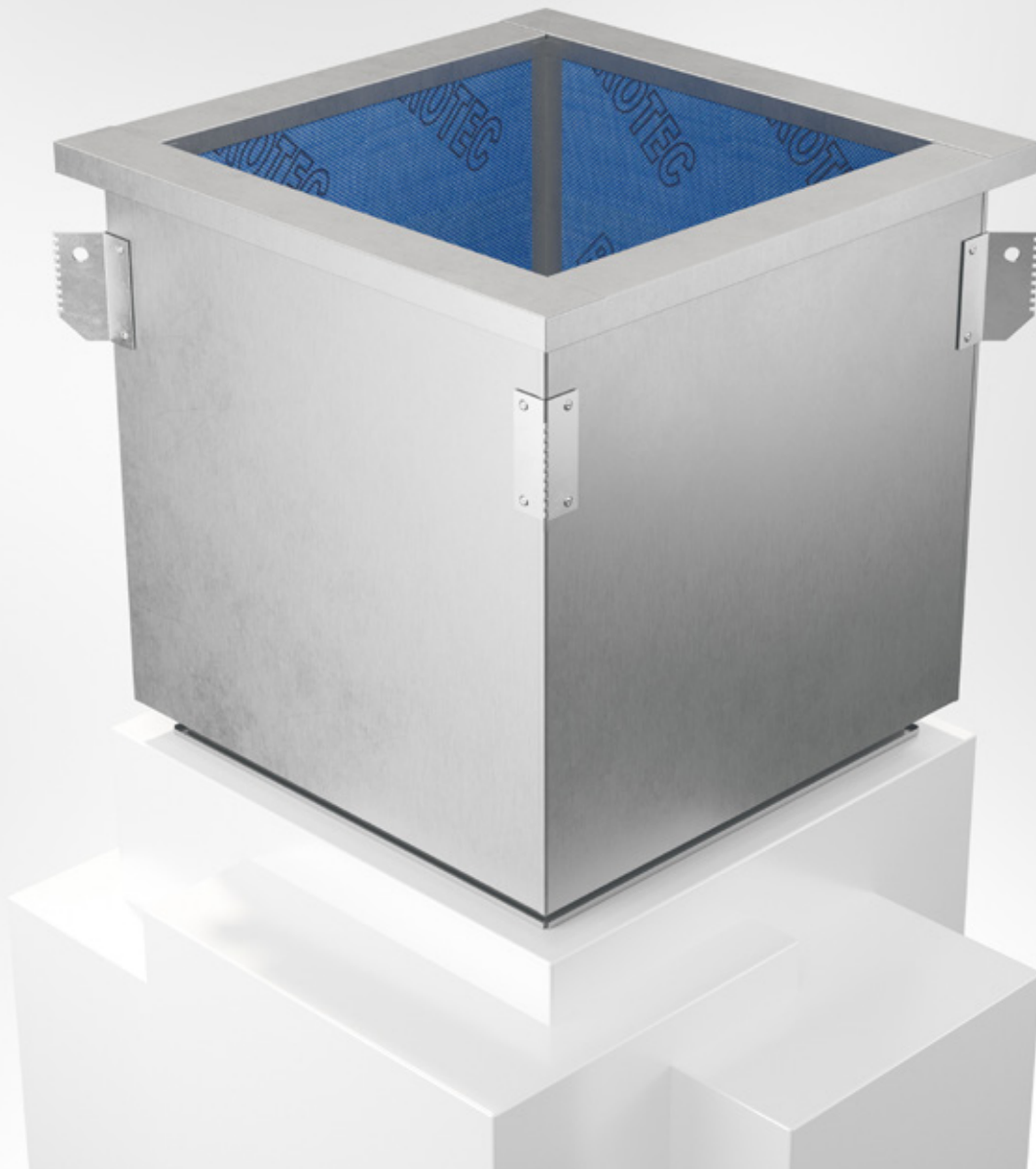


BRTG

Roof Inlet



COWLS



25/05/2023



Roof Inlet BRTG



Quick facts

- Sizes from 3 to 21
- 50 mm insulation on the inside as standard, corresponding to fire class EI30 and with cleanable surface coating Protec
- Can be supplied with 100 mm internal insulation corresponding to fire class EI60, or with full sheet metal inside.
- Standard heights: 800, 1000, 1200, 1500 mm (can be customized)
- Lifting fittings mounted at factory from size 10, see lifting instructions on www.bevent-rasch.com
- Slip joint connection at the bottom
- Two attached scales are included for adaption to roof pitch.
- The roof inlet can, from size 6, be supplemented with sound reduction baffles.
- Can be ordered in optional sizes, in both square and rectangular versions and also in an extended version.
- Available in MagiCAD

Use

BRTG is intended for the installation of rain cowls and roof fans. There is 50 mm of insulation on the inside, corresponding to fire class EI30, alternatively 100 mm, corresponding to EI60. Two attached scales are included for adaptation to roof pitch. The roof inlet is supplied as standard with interior cladding of type-approved surface coating PROTEC®.

The product can be ordered with cable channel. The location of the channel is indicated with a warning symbol and the text "cable channel". The customer then drills holes for the cable in the marked area.

Sound reduction

The roof inlet can, from size 6, be supplemented with sound reduction baffles to increase sound reduction ability. The length of the sound reduction baffles are equal to the length of the roof inlet minus 200 mm. Baffles can not be combined with circular sleeve coupling BRSA.

Specification

Example:

Roof inlet **BRTG - 8 - 1 - 0 - 0 - 800 - 3**

Size, see size table

Material:

Galvanized sheet steel	= 1
Stainless AISI 316L – EN 1.4404	= 3
Aluzink AZ185	= 4
Magnelis C5	= 5

Internal lining:

Type-approved surface coating PROTEC®	= 0
Sheet steel	= 2

<i>Sound reducing baffles:</i> No	= 0
Yes	= 1

Height: 800, 1000, 1200 or 1500 mm

Insulation:

50 mm, Fire class EI30	= 3
50 mm, Fire class EI30, incl. cable channel	= 4
100 mm, Fire class EI60	= 6
100 mm, Fire class EI60, incl. cable channel	= 7

Accessories:

Non-return damper BRRB

Sleeve coupling BRSA

Transformation BRÖG

Mating flange BRFL

Material, surface treatment

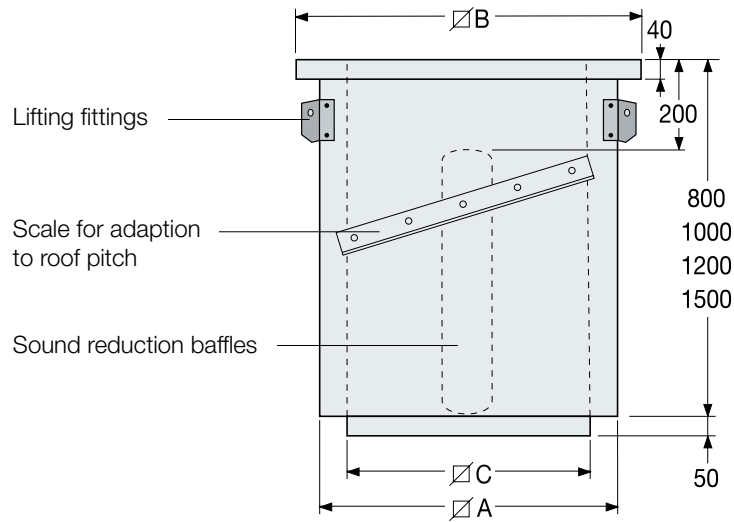
The roof inlet is manufactured as standard in galvanized sheet steel. It can also be manufactured in aluzink AZ185, stainless steel EN 1.4404 (AISI 316L) or Magnelis C5.

Special

The roof inlet can be supplied in many different special designs in terms of size, material selection, etc. Contact Bevent Rasch.



Dimensions



Cut-out size = A+20
Connection size = C

Size	A	C Insulation, mm		B	Weight, kg *) Insulation, mm		Weight with baffle, kg **) Insulation, mm	
		50 ¹⁾	100 ²⁾		50 ¹⁾	100 ²⁾	50 ¹⁾	100 ²⁾
3	310	200	100	395	20	28	–	–
4	410	300	200	495	27	39	–	–
5	510	400	300	595	34	50	–	–
6	610	500	400	695	40	59	46	–
7	710	600	500	795	46	69	56	77
8	810	700	600	895	52	78	64	88
9	910	800	700	995	58	88	72	100
10	1010	900	800	1095	64	97	81	113
11	1110	1000	900	1195	72	109	96	131
12	1210	1100	1000	1295	78	118	104	142
13	1310	1200	1100	1395	85	129	125	166
14	1410	1300	1200	1495	90	138	134	178
15	1510	1400	1300	1595	98	149	138	196
16	1610	1500	1400	1695	105	160	159	210
17	1710	1600	1500	1795	110	168	157	222
18	1810	1700	1600	1895	115	177	176	234
19	1910	1800	1700	1995	125	190	190	252
21	2110	2000	1900	2195	135	207	231	299

¹⁾ Fire class EI30

²⁾ Fire class EI60

*) Stated weights are valid for height 800 mm, in standard design.
 Weights for other lengths can be calculated using following formula:
 Weight / 8 x new length in dm

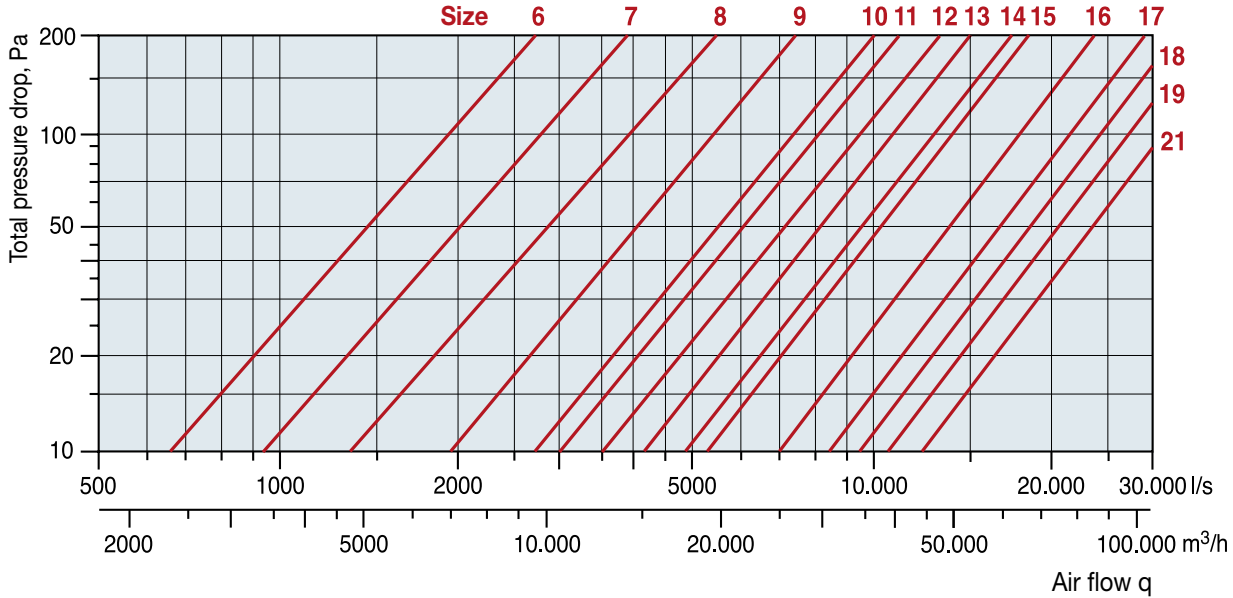
**) Stated weights are valid for height 800 mm, in standard design.
 Weights for other lengths, contact Bevent Rasch.

– = Not available with baffle.



Selection chart

Applicable for BRTG, insulated 50 mm (fire class EI30), with sound reducing baffle and internal surface coating PROTEC®.



Insert sound reduction without baffle

Roof inlet length = 800 mm, insulated 50 mm (fire class EI30) and internal surface coating PROTEC®

Size	Insert sound reduction in octave band dB Mid frequency Hz							
	63	125	250	500	1000	2000	4000	8000
3	0	4	9	20	26	19	10	7
4	0	3	8	14	18	14	8	6
5	0	2	6	10	12	8	6	6
6	0	2	6	9	12	8	6	6
7	0	2	5	8	10	6	4	4
8	0	1	5	8	10	5	3	2
9	0	1	3	6	9	5	2	2
10	0	1	3	6	8	4	0	0

Insert sound reduction with baffle, size 6-21

Roof inlet insulated 50 mm (fire class EI30) and internal surface coating PROTEC®. Baffle length = 600 mm.

Roof inlet length (mm)	Insert reduction in octave band dB Mid frequency Hz							
	63	125	250	500	1000	2000	4000	8000
800	3	7	12	19	25	27	18	14
1000	3	8	13	21	28	31	20	16
1200	3	9	15	24	32	35	23	18
1500	5	11	18	29	38	41	27	21

Size 11-21, sound reduction = 0