



31/10/2019

BRTG & BRTF/BRTK

Lifting instructions



GENERAL

- Lifting may be only performed by appropriately trained personnel.
- Lifting of roof inlets may only be carried out using lifting equipment approved for the intended purpose.
- Follow the instructions and guidelines that apply to the relevant lifting method and lifting accessories.
- Carefully read our instructions that apply to each product and size.
- Only roof inlets may be lifted. The lifting of person or other types of lifting must not be performed when lifting the roof inlet.

- Do not stand under suspended loads.
- Carefully check that the assigned lifting points are not damaged before lifting.
- The roof inlets are lifted separately.

When lifting our roof inlets, the methods specified for the roof inlets must be applied. We recommend that the H-yoke or frame-yoke is used when lifting products with four lifting points or more to ensure a so evenly distributed load as possible.

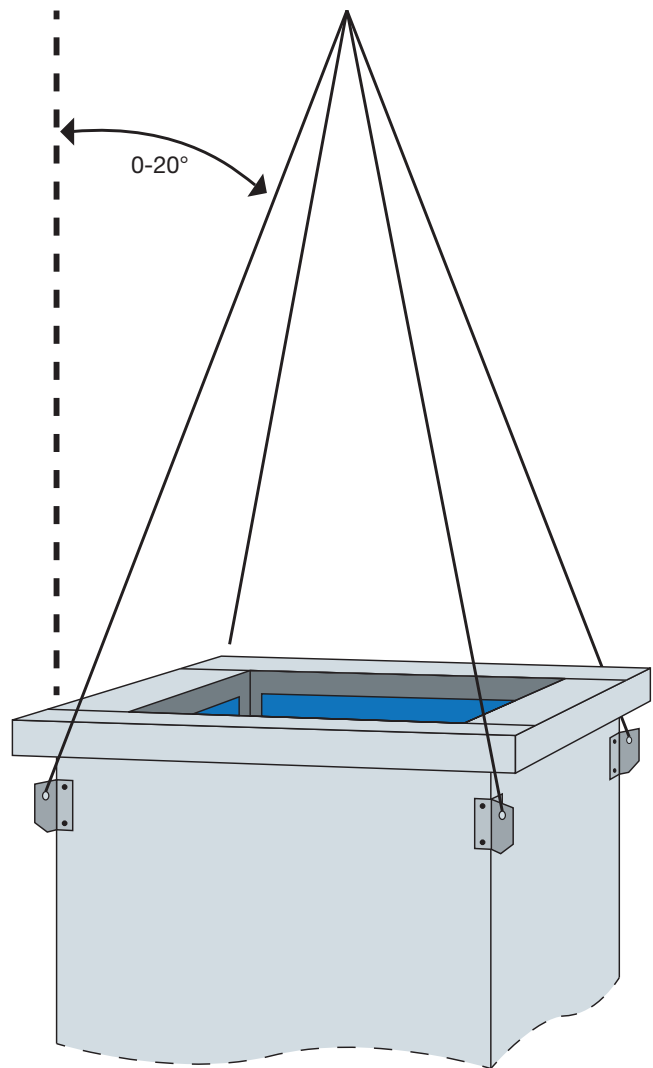


Lifting Instructions BRTG & BRTF/BRTK

Roof inlets from Bevent Rasch are equipped with lifting fittings for safe and easy handling. The lifting fittings are designed with dimensioned connections for approved lifting tools.

The lifting fittings are found on products BRTG from size 10 as well as on BRTF/BRTK from size 800.

1. Before lifting: Carefully read the general lifting instructions that apply for the roof inlets (see page 1).
2. Roof inlets are lifted separately and additional loads may not be added.
3. The roof inlets are supplied with 4 lifting points with corresponding eyebolts for the lifting equipment. The roof inlet is raised from all lifting points.
4. Check that all screw joints (eyebolts) are fastened securely and that the lifting eyebolts are no damaged.
5. After lifting and installation (see separate [installation instructions](#)) of the roof inlet the eyebolts can be removed if necessary to provide space for the casing (waterproofing, roof cladding materials).





Weights BRTG

Size	Weight, kg ^{*)} Insulation, mm		Weight with baffle, kg ^{**)} Insulation, mm	
	50 ¹⁾	100 ²⁾	50 ¹⁾	100 ²⁾
3	20	28	–	–
4	27	39	–	–
5	34	50	–	–
6	40	59	46	–
7	46	69	56	77
8	52	78	64	88
9	58	88	72	100
10	64	97	81	113
11	72	109	96	131
12	78	118	104	142
13	85	129	125	166
14	90	138	134	178
15	98	149	138	196
16	105	160	159	210
17	110	168	157	222
18	115	177	176	234
19	125	190	190	252
21	135	207	231	299

1) Fire class EI30

2) Fire class EI60

*) Stated weights are valid for height 800 mm, in standard design.
Weights for other lengths can be calculated using following formula:
Weight / 8 x new length in dm

**) Stated weights are valid for height 800 mm, in standard design.
Weights for other lengths, contact Bevent Rasch.

– = Not available with baffle.

Weights BRTF

Size	Weight, kg ^{*)} Insulation, mm		Weight with baffle, kg ^{**)} Insulation, mm	
	50 ¹⁾	100 ²⁾	50 ¹⁾	100 ²⁾
200	36	–	–	–
300	45	–	–	–
400	55	64	–	–
500	60	71	66	–
600	68	80	78	90
800	85	101	98	101
1000	105	125	129	185
1200	130	154	160	220
1400	150	178	195	255
1600	167	215	215	325
1800	186	222	240	350
2000	205	250	285	405

1) Fire class EI30

2) Fire class EI60

*) Stated weights are valid for height 800 mm, in standard design.
Weights for other lengths can be calculated using following formula:
Weight / 8 x new length in dm

**) Stated weights are valid for height 800 mm, in standard design.
Weights for other lengths, contact Bevent Rasch.

– = Not available with baffle.

Weights BRTK

Size	Weight, kg ^{*)} Insulation, mm		Weight with baffle, kg ^{**)} Insulation, mm	
	50 ¹⁾	100 ²⁾	50 ¹⁾	100 ²⁾
200	36	–	–	–
300	45	–	–	–
400	55	64	–	–
500	60	71	72	–
600	68	80	88	100
800	85	101	112	128
1000	105	125	150	205
1200	130	154	185	245
1400	150	178	245	340
1600	167	215	265	375
1800	186	222	295	410
2000	205	250	365	480

1) Fire class EI30

2) Fire class EI60

*) Stated weights are valid for height 800 mm, in standard design.
Weights for other lengths can be calculated using following formula:
Weight / 8 x new length in dm

**) Stated weights are valid for height 800 mm, in standard design.
Weights for other lengths, contact Bevent Rasch.

– = Not available with baffle.

NB: The cowl and roof inlet are mounted horizontally.