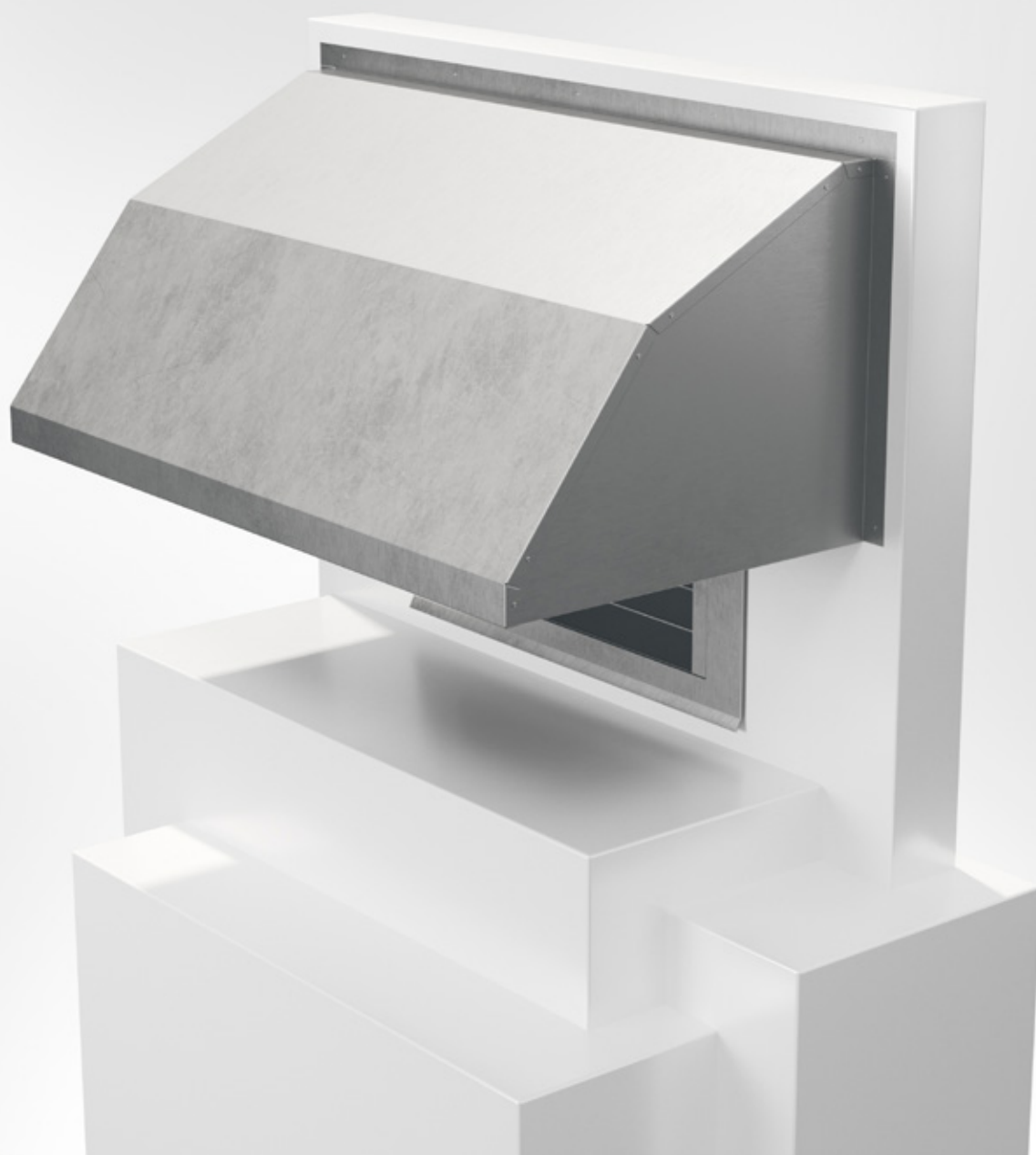


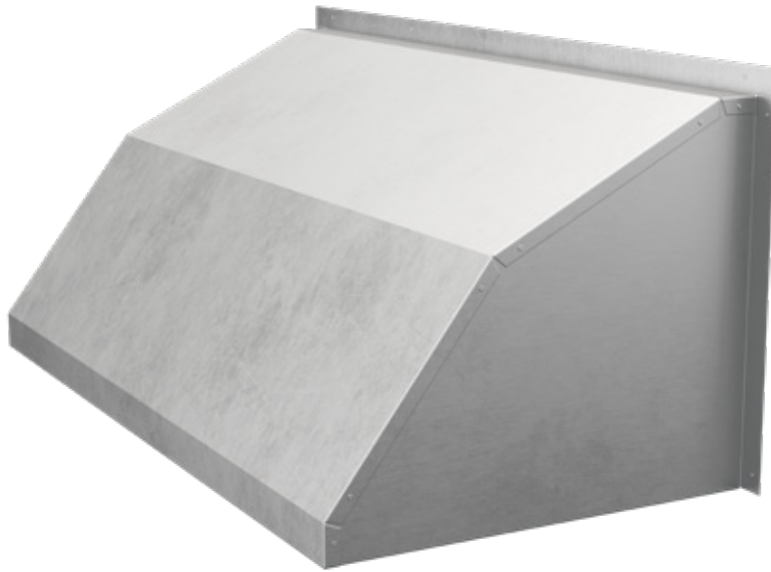
# ACCESSORIES



LOUVRES



13/07/2023



### Description, area of use

BRYVH is a weather cowl that is mounted above an outer wall louvre on the wall to protect against snow and rain. As a special option, the weather cowl can be supplied in the desired dimensions.

### Material, surface finish

The weather cowl is made in galvanised sheet steel and can be supplied painted (C4) in the colour of your choice, refer to [www.bevent-rasch.com](http://www.bevent-rasch.com).

The weather cowl can also be manufactured in stainless steel EN 1.4404 (SS2343), or aluzinc AZ185.

### Specification

Example:

**Weather cowl** **BRYVH - 600 - 01 - 1 - 0**

*Size, width:*

Louvre width

*Size, height:*

refer to table

*Material:*

Galvanized sheet steel

= 1

Stainless steel EN 1.4404 (SS2343)

= 3

Aluzinc AZ185

= 5

*Surface treatment:*

Untreated

= 0

Painted

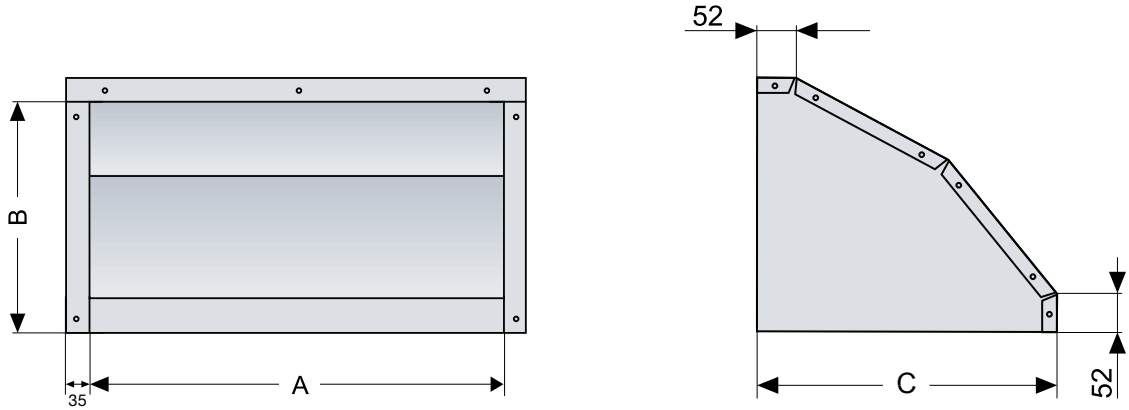
= 1\*

\* Colour code should be stated in plain text, refer to [www.bevent-rasch.com](http://www.bevent-rasch.com)





Dimensions



Size	B	C	Louvre height
01	370	397	0-750
02	505	556	751-1250
03	750	900	1251-2000

Louvre width (mm)	Cowl width (mm) A
150	250
200	300
250	350
300	400
400	500
500	600
600	700
700	800
800	900
900	1000
1000	1100

Louvre width (mm)	Cowl width (mm) A
1100	1200
1200	1300
1300	1400
1400	1500
1500	1600
1600	1700
1700	1800
1800	1900
1900	2000
2000	2100

Weight

The weight of BRYVH is calculated according to the formulas below:

**Size 01:**  $2,5+(A \times 0,5)$

Example: Weight of a BRYVH-1200-01-1-0 is calculated as follows:  $2,5+(12 \times 0,5)=8,5$  kg

**Size 02:**  $4+(A \times 0,75)$

**Size 03:**  $8+(A \times 0,9)$

A = width in dm according to the data sheet